

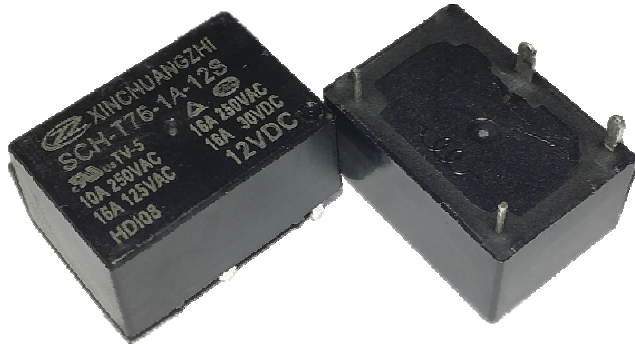


# Relay

## ISO9001、ISO14001 Certification Enterprises

### Main Feature

1. Small size (23x16.2x10.2 in mm) produces a switching capacity up to 16A for high density P.C.Board mounting technique.
2. The contact form construction is 1A
3. The Surge Resistance of T76 series is 10,000V
4. Sealing Construction (Free from dust and solder flux): SCH-T76: Plastic Sealed Type.
5. The selection of plastic insulation material is designed for high temperature and provides better chemical solution performance.
6. RoHS Compliant.



### Application

Air Conditioning, Fridge, Washing Machine, etc Household Appliances

### Contact Rating

Nominal Load(Resistive Load Cosφ=1)	
Contact Capacity	
SCH-T76-1A.....	16A at 250VAC 15A 125VAC
	TV-5 125VAC
Max. Allowable Current	
SCH-T76-1A... ..	16A
Max. Allowable Voltage	
SCH-T76-1A.....	AC250V
Max. Allowable Power Force	
SCH-T76-1A.....	4,000VA
Contact Material... ..	Ag Alloy
Contact Form .....	SPST

Max. On/OffSwitching:	
Electrical.....	30 Ops per minute
Mechanical .....	300 Ops per minute
Temperature Range... ..	40~85℃
Humidity Range... ..	5%~85% RH
Coil Temperature Rise.....	35℃ Maximum
Vibration:	
Endurance... ..	10 to 55 Hz dual amplitude width 1.5mm
Error Operation.....	10 to 55 Hz dual amplitude width 1.5mm
Shock:	
Endurance... ..	981m/s <sup>2</sup> Min
Error Operation.....	98.1m/s <sup>2</sup> Min
Life	Expectancy:
Electrical... ..	10 <sup>5</sup> Operations at Rated Resistive load
Mechanical .....	10 <sup>7</sup> Operations at No load condition
Weight.....	about 10g

### Performance (at Initial Value)

Contact Resistance... ..	≤100mΩ at 6VDC/1A
Operate Time... ..	ms. Max
Release Time.....	ms. Max
Dielectric Strength:	
Between Coil & Contact... ..	2,200VAC at 50/60 Hz for one minute
Between Contacts... ..	1,000VAC at 50/60 Hz for one minute
Surge Resistance.....	10,000V (between Coil & Contact 1.2x50 μs)
Insulation Resistance... ..	1,000 MegaΩMin. at 500VDC

### Safety Standard & Its File Number

UL.....	E476814
TUV.....	R50443239
CQC.....	CQC18002196606



# Relay

ISO9001、ISO14001 Certification Enterprises

## Coil Specification (at 20 °C)

Coil Sensitivity	Nominal Voltage (VDC)	Nominal Current (mA)	Coil Resistance ( $\wedge \pm 8\%$ )	Power Consumption (W)	Pull-In Voltage (VDC)	Drop-Out Voltage (VDC)	Maximum Allowable Voltage (VDC)
SCH-T76	3	66.7	45	Abt. 0.2	75% Maximum	10% Minimum	130%
	5	40	125				
	6	33.3	180				
	9	22.2	405				
	12	16.7	720				
	24	8.3	2880				
	48	5.2	9200				

## Ordering Information

**SCH - T76 - 1A - 12 - S**

**Coil Type:** Blan:0.2W Standard DC Coil  
**Seal type:** S

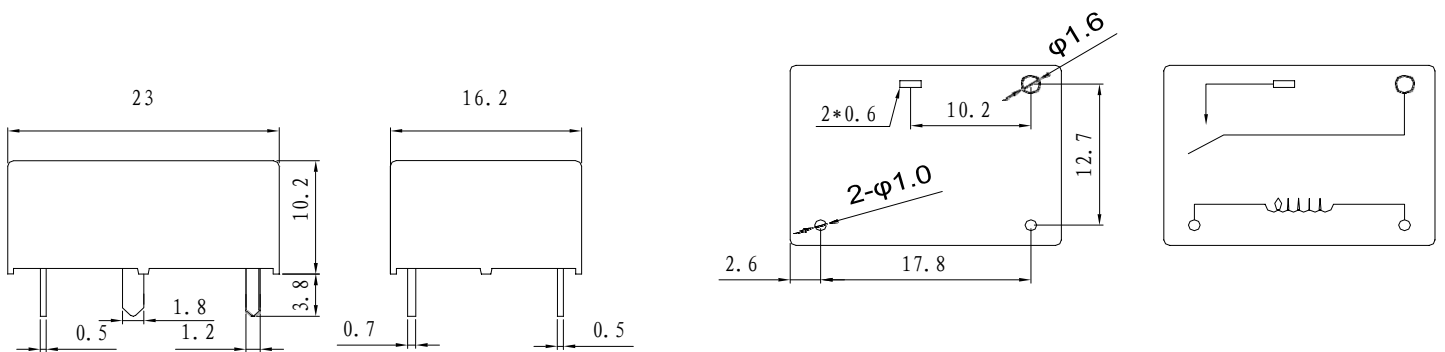
**Coil Voltage:** 3:3V,5:5V,6:6V,9:9V,12:12V,24:24V,48:48V

**Number of Pole:** 1A:One Group NO

**Model:** T76

**Generic Terms:** SCH

## Dimension



(Dimension Tolerance) : <1mm:  $\pm 0.2\text{mm}$   
 1--5mm:  $\pm 0.3\text{mm}$   
 >5mm:  $\pm 0.5\text{mm}$