

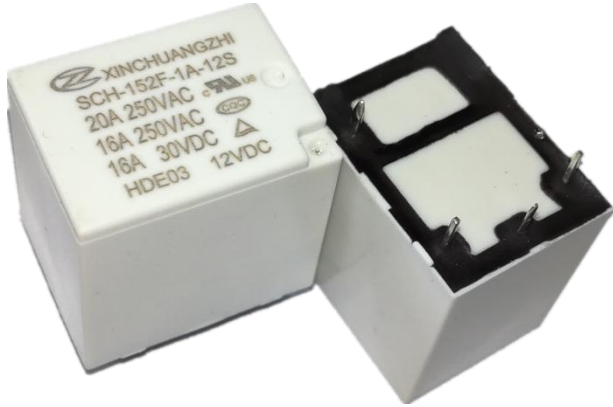


Relay

ISO9001、ISO14001 Certification Enterprises

Main Feature

1. Small size (21x16x20.5in mm) produces a switching capacity up to **20A** for high density P.C.Board mounting technique.
2. The contact form construction is 1A/1B/1C
3. The Surge Resistance of 152F series is 10,000V
4. Sealing Construction (Free from dust and solder flux):
SCH-152F: Plastic Sealed Type.
5. The selection of plastic insulation material is designed for high temperature and provides better chemical solution performance.
6. RoHS Compliant.



Contact Rating

- Nominal Load(Resistive Load Cos $\phi = 1$)
Contact Capacity
SCH-152F-1C..... 16A at 250VAC
SCH-152F-1A/1B..... 20A at 250VAC
1HP Tv-8 20A at 125VAC
- Max. Allowable Current
SCH-152F-1A/1B/1C..... 20A
- Max. Allowable Voltage
SCH-152F-1A/1B/1C..... AC250V
- Max. Allowable Power Force
SCH-152F-1A/1B/1C..... 5000VA
- Contact Material..... Ag Alloy
- Contact Form..... SPST&SPDT

Performance (at Initial Value)

- Contact Resistance..... $\leq 100m\Omega$ at 6VDC/1A
- Operate Time..... ms. Max
- Release Time..... ms. Max
- Dielectric Strength:
Between Coil & Contact..... 2,800VAC at 50/60 Hz
for one minute
Between Contacts..... 1,000VAC at 50/60 Hz
for one minute
- Surge Resistance..... 10,000V (between Coil
& Contact 1.2x50 μ s)

Application

Air Conditioning, Fridge, Washing Machine, etc Household Appliances

- Insulation Resistance..... 1,000 Mega Ω Min. at 500VDC
- Max. On/Off Switching:
Electrical..... 30 Ops per minute
Mechanical..... 300 Ops per minute
- Temperature Range..... 40~105°C
- Humidity Range..... 5%~85% RH
- Coil Temperature Rise..... 35°C Maximum
- Vibration:
Endurance..... 10 to 55 Hz dual amplitude width 1.5mm
Error Operation..... 10 to 55 Hz dual amplitude width 1.5mm
- Shock:
Endurance..... 981m/s² Min
Error Operation..... 98.1m/s² Min
- Life Expectancy:
Electrical..... 3 x10⁴ Operations at Rated Resistive load
Mechanical..... 10⁷ Operations at No load condition
- Weight..... about 14g

Safety Standard & Its File Number

UL..... E476814
TUV..... R50319384
CQC..... CQC15002132853



Relay

ISO9001、ISO14001 Certification Enterprises

Coil Specification (at 20 °C)

Coil Sensitivity	Nominal Voltage (VDC)	Nominal Current (mA)	Coil Resistance ($\Omega \pm 8\%$)	Power Consumption (W)	Pull-In Voltage (VDC)	Drop-Out Voltage (VDC)	Maximum Allowable Voltage (VDC)
152F-S	3	120	25	Abt. 0.36	75% Maximum	10% Minimum	130%
	5	72	69.4				
	6	60	100				
	9	40	225				
	12	30	400				
	24	15	1600				
	48	7.5	6400				

Ordering Information

SCH - 152F - 1C - 12 S T

Temperature: Blank:85°C, T:105°C

Coil Type: Blan:0.36W Standard DC Coil

Seal type: S

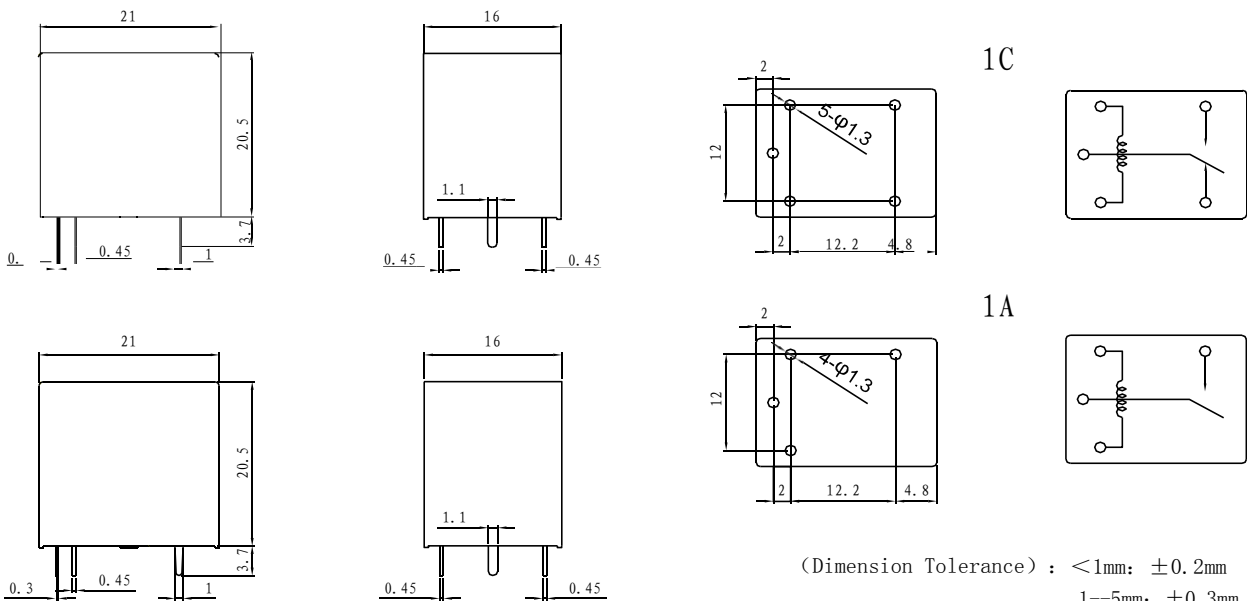
Coil Voltage:3:3V,5:5V,6:6V,9:9V12:12V,24:24V ,48:48V

Number of Pole: 1A:One Group NO, 1B:One Group NC,1C:One Group NC/NO

Model:152F-20A

Generic Terms: SCH

Dimension



(Dimension Tolerance) : <1mm: ± 0.2 mm
 1--5mm: ± 0.3 mm
 >5mm: ± 0.5 mm