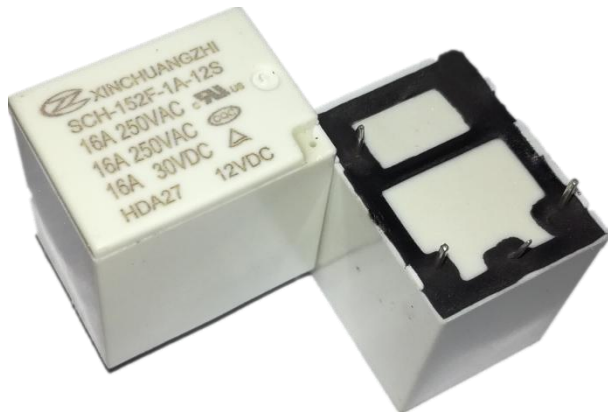




Relay



Contact Rating

- Nominal Load(Resistive Load Cos $\phi = 1$)
Contact Capacity
SCH-152F-1C..... 16A at 250VAC
SCH-152F-1A/1B..... 16A at 250VAC
1HP Tv-8 20A at 125VAC
- Max. Allowable Current
SCH-152F-1A/1B/1C..... 16A
- Max. Allowable Voltage
SCH-152F-1A/1B/1C..... AC250V
- Max. Allowable Power Force
SCH-152F-1A/1B/1C..... 4250VA
- Contact Material..... Ag Alloy
- Contact Form..... SPST&SPDT

Performance (at Initial Value)

- Contact Resistance..... $\leq 100m\Omega$ at 6VDC/1A
- Operate Time..... ms. Max
- Release Time..... ms. Max
- Dielectric Strength:
Between Coil & Contact..... 2,800VAC at 50/60 Hz
for one minute
Between Contacts..... 1,000VAC at 50/60 Hz
for one minute
- Surge Resistance..... 10,000V (between Coil
& Contact 1.2x50 μ s)

ISO9001、ISO14001 Certification Enterprises

Main Feature

1. Small size (21x16x20.5in mm) produces a switching capacity up to 20 A for high density P.C.Board mounting technique.
2. The contact form construction is 1A/1B/1C
3. The Surge Resistance of 152F series is 10,000V
4. Sealing Construction (Free from dust and solder flux):
SCH-152F: Plastic Sealed Type.
5. The selection of plastic insulation material is designed for high temperature and provides better chemical solution performance.
6. RoHS Compliant.

Application

Air Conditioning, Fridge, Washing Machine, etc Household Appliances

- Insulation Resistance..... 1,000 Mega Ω Min. at 500VDC
- Max. On/Off Switching:
Electrical..... 30 Ops per minute
Mechanical..... 300 Ops per minute
- Temperature Range..... 40~105°C
- Humidity Range..... 5%~85% RH
- Coil Temperature Rise..... 35°C Maximum
- Vibration:
Endurance..... 10 to 55 Hz dual amplitude width 1.5mm
Error Operation..... 10 to 55 Hz dual amplitude width 1.5mm
- Shock:
Endurance..... 981m/s² Min
Error Operation..... 98.1m/s² Min
- Life Expectancy:
Electrical..... 10⁵ Operations at Rated Resistive load
Mechanical..... 10⁷ Operations at No load condition
- Weight..... about 14g

Safety Standard & Its File Number

- UL..... E476814
- TUV..... R50319384
- CQC..... CQC15002132853



Relay

ISO9001、ISO14001 Certification Enterprises

Coil Specification (at 20 °C)

Coil Sensitivity	Nominal Voltage (VDC)	Nominal Current (mA)	Coil Resistance ($\Omega \pm 8\%$)	Power Consumption (W)	Pull-In Voltage (VDC)	Drop-Out Voltage (VDC)	Maximum Allowable Voltage (VDC)
152F	3	120	25	Abt. 0.36	75% Maximum	10% Minimum	130%
	5	72	69.4				
	6	60	100				
	9	40	225				
	12	30	400				
	24	15	1600				
	48	7.5	6400				

Ordering Information

SCH - 152F - 1C - 12 S T

Temperature: Blank:85°C, T:105°C

Coil Type: Blan:0.36W Standard DC Coil

Seal type: S

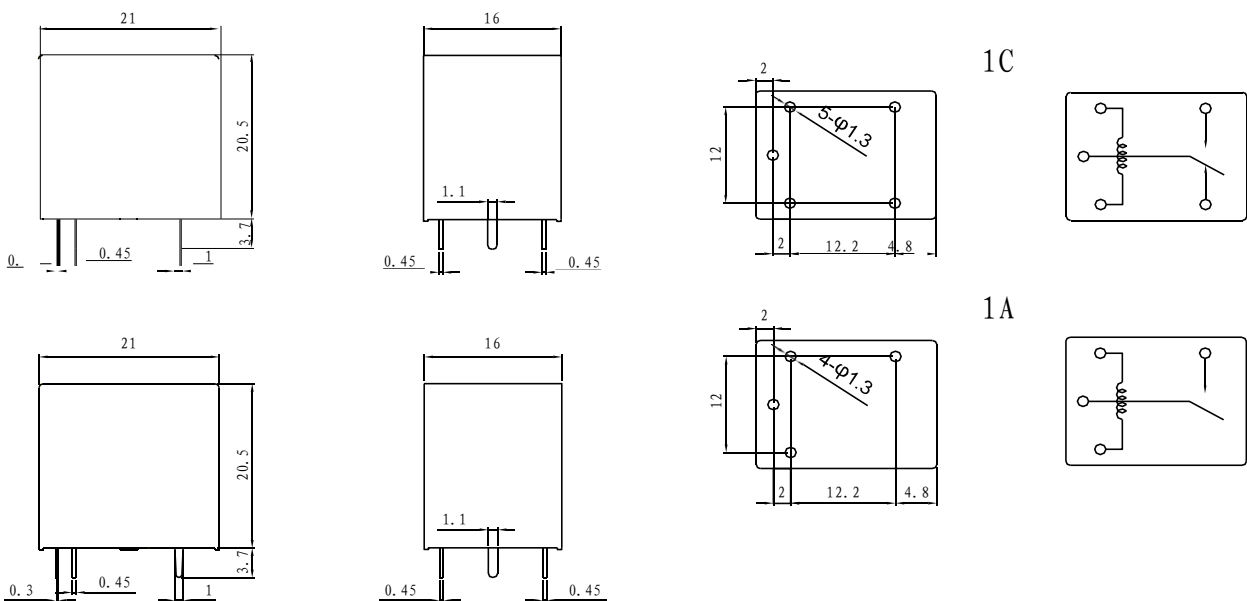
Coil Voltage:3:3V,5:5V,6:6V,9:9V12:12V,24:24V ,48:48V

Number of Pole: 1A:One Group NO, 1B:One Group NC,1C:One Group NC/NO

Model:152F-16A

Generic Terms: SCH

Dimension



(Dimension Tolerance) : <1mm: $\pm 0.2\text{mm}$
 1--5mm: $\pm 0.3\text{mm}$
 >5mm: $\pm 0.5\text{mm}$